

WTM1040UHP-C 7.7MPa =
6Q 12.0MPa

¶

e

ï

~

>6U, 7.7MPa = ?L φ .

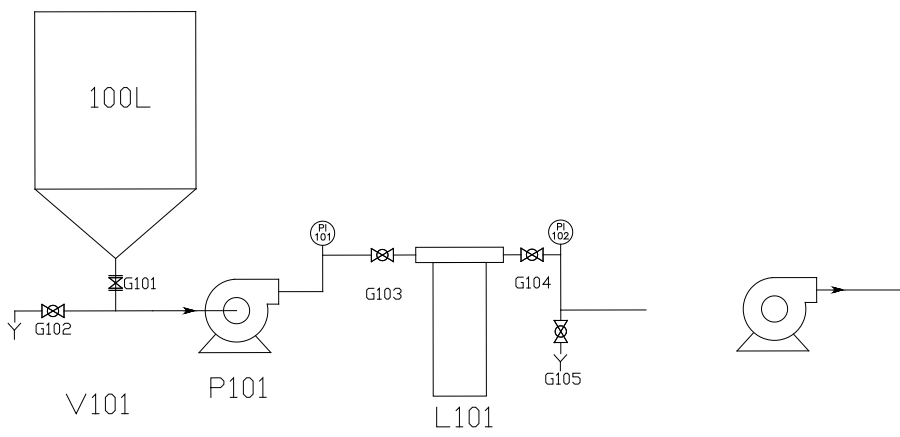
f v ~ >6U8 ;"Ø P #8ç #]F 17 - +kB ~0561-67126688

5 v ~ www.mofenli.net

V-U ~

0551-63667960

.....	2.....
.....	2.....
.....	3.....
.....	4.....
.....	4.....
.....	6.....
.....	6.....



? =#WOAB* D

=Aô = (fl&i

° **Aô = † f**

	WTM-4040JHP-1
	4040
	7.5
	1
	12.0Mpa
	5—45
PH	1--11
	15L
	250L/H
	50—100L/h
	50—500L
	5.5KW@380V
	1.6m* 1m* 2m

£ =315 4œ F

1						
2						
3						
4						
5						
6						
7						
8						
9						
10						
11						
12						
13						
14						
15						
16						
17						
18						
19						
20						

9 315 Ô-

30

3

17%

i =Aô = 4{}

